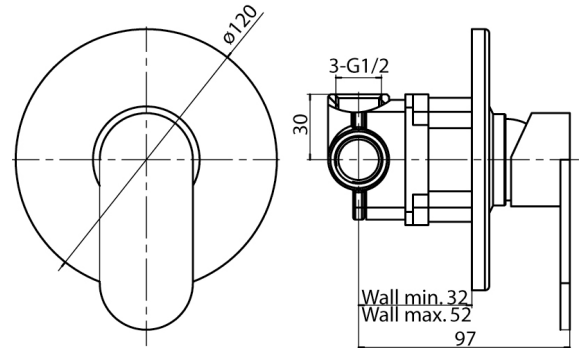


## Series Tube

## Concealed shower mixer



Code	Cartridge	Flow class	Connection	EAN13
2454870	cartridge $\Phi$ 35 low	B	G1/2	5907451970898

**Product usage:**

For use in with cold and hot water systems in buildings

**Type:**

Shower mixers

**Guarantee:**

25-year

**Technical data/Operating parameters:**

Recommended working pressure: 0,1-0,5 MPa,  
Max temperature: 90°C

**Used materials:**

brass

**Finish:**

chrome