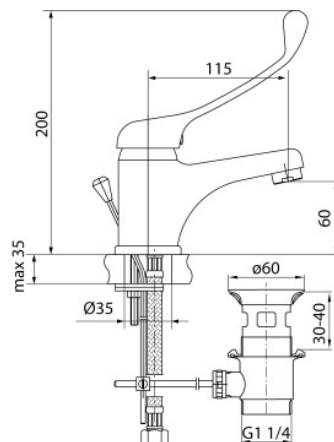


Series Medica

Washbasin mixer with manual pop-up drain



Code	Cartridge	Flow class	Hoses	EAN13
2401760	cartridge Φ 40 low	A	G3/8	5907451927694

Product usage:

In systems for drinking water and hot water in the residential and public buildings, including educational, parenting, health service objects, including operating rooms, commercial and industrial facilities, including the food industry.

Type:

Washbasin mixers

Technical data/Operating parameters:

Recommended working pressure: 0,1-0,5 MPa,
Max temperature: 90°C

Guarantee:

25-year

Used materials:

brass

Finish:

chrome